

# ETM VALVE CO.,LTD.

Europe Technology Manufacturer



PLUG VALVES  
BALL VALVES  
GATE VALVES  
GLOBE VALVES  
CHECK VALVES  
BELLOWS SEAL VALVES

**ASME INDUSTRIAL VALVE**

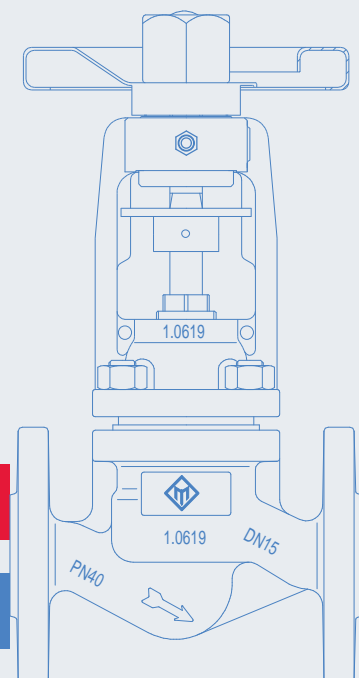
**DIN INDUSTRIAL VALVE**

**ETM VALVE CO.,LTD.**

Add: Oubei town, Yongjia county, WenZhou City, ZheJiang province, China, 325102

Phone: +86 577 6795 3935 Fax: +86 577 6798 3935

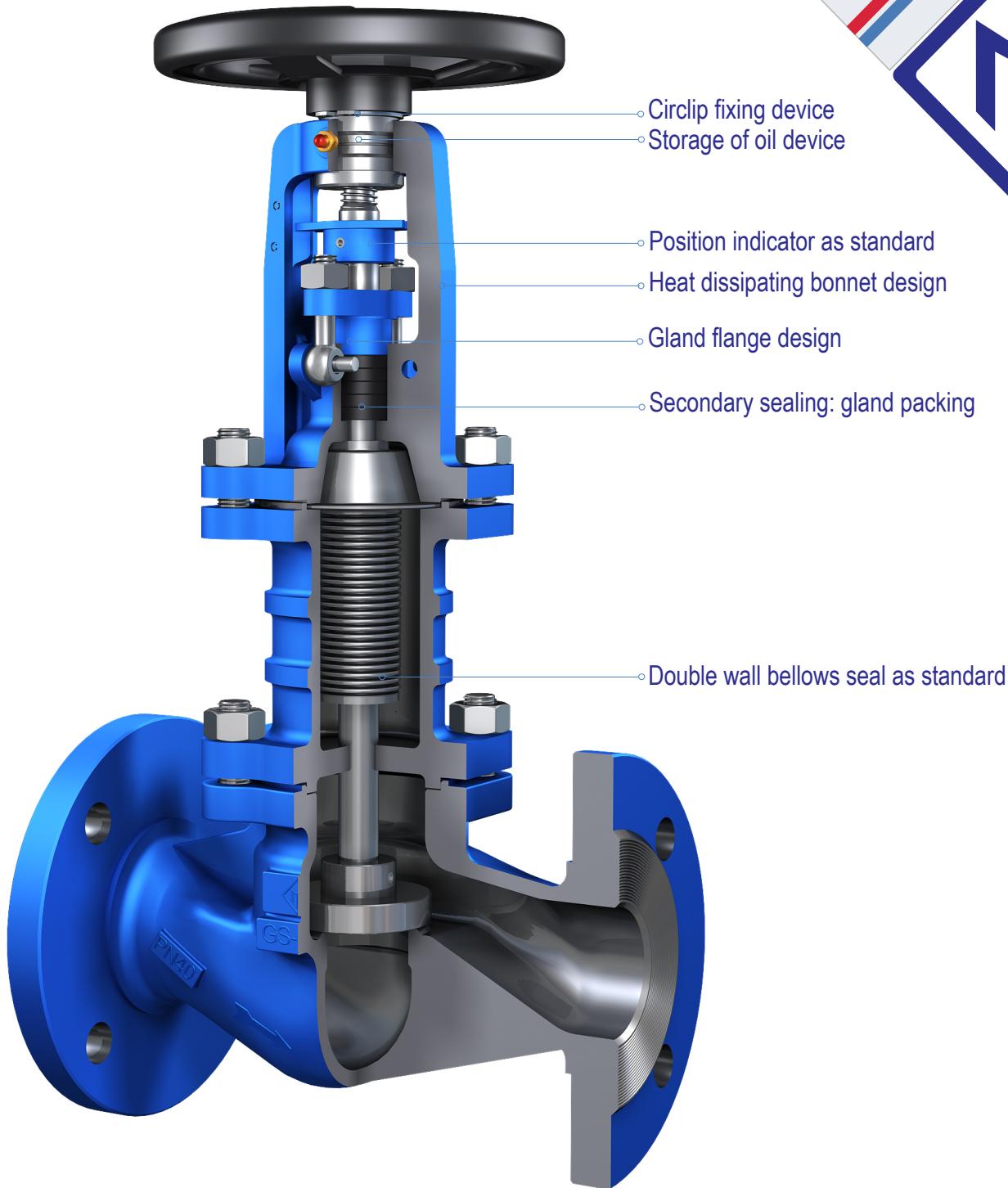
E-mail: [info@etmvalve.com](mailto:info@etmvalve.com) - <http://www.etmvalves.com>



# ETM VALVE

Europe Technology Manufacturer

ALSO STOP VALVE



ISO 9001-2008  
CERTIFIED

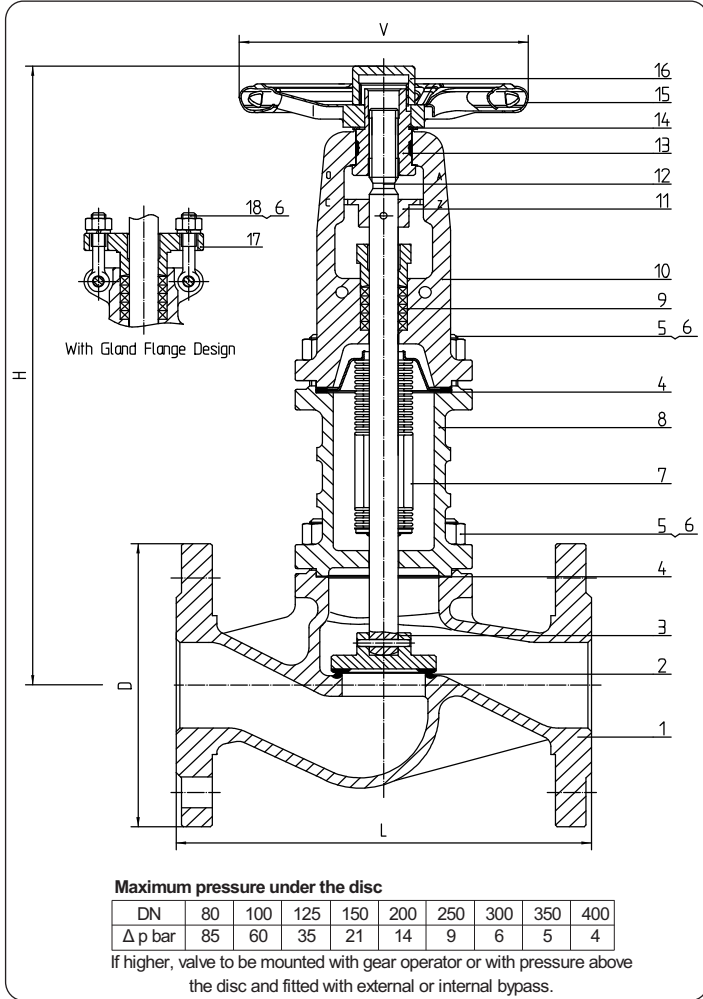


TÜV Rheinland  
AD 2000 Merkblatt W0  
APPROVED



**ETM VALVE**  
Europe Technology Manufacturer

# DIN BELLOWS SEAL STOP VALVES DIN PN16-PN25-PN40 F1



## standard features

- **Description** BOLTED BONNET  
OUTSIDE SCREW AND YOKE  
RISING STEM  
NON RISING HANDWHEEL  
LONG BELLOWS DESIGN  
LONG BONNET DESIGN  
WITH GLAND FLANGE DESIGN
- **Design** BS EN 13709
- **Face to face** BS EN 558-1
- **Flanges** BS EN 1092-1  
BW TO BS EN 12627
- **Testing** BS EN 12266
- **Rating** DIN 2401
- **Marking** EN 19  
CE - PED
- **Certificates** BS EN 10204 3.1

PART NAME		MATERIAL		
1	Body	1.0619	1.4308	1.4408
2	Seat surface	X20Cr13 (1) Overlay	1.4308 (1) Overlay	1.4408 (1) Overlay
3	Disc seat surface	X20Cr13 (2) Overlay	1.4301 (2) Overlay	1.4401 (2) Overlay
4	Gasket	S.S reinforced graphite (4)	S.S reinforced graphite (4)	S.S reinforced graphite (4)
5	Nuts	ASTM A194 2H	ASTM A320 8	ASTM A320 8
6	Bolts	ASTM A193 B7	ASTM A320 B8	ASTM A320 B8
7	Bellows	S.S 316L	S.S 316L	S.S 316L
8	Bonnet	1.0619	1.4308	1.4408
9	Packing	Graphite (4)	Graphite (4)	Graphite (4)
10	Yoke	1.0619	1.4308	1.4408
11	No rot.Device	X20Cr13	1.4301	1.4401
12	Stem	X20Cr13	1.4301	1.4401
13	Yoke Nut	GGG40.3 (3)	Cu-Alloy	Cu-Alloy
14	Circlip	65Mn	65Mn	65Mn
15	Handwheel	Steel	Steel	Steel
16	Lock Nut	C.S	C.S	C.S
17	Gland Flange	1.0619	1.4308	1.4308
18	Eye Bolts	ASTM A193 B7	ASTM 320 B8	ASTM 320 B8

- (1) On request: faced with Stellite® - Monel® - Hastelloy® - other materials  
 (2) On request: 17 Cr - Monel® - Hastelloy® - other materials  
 (3) On request: Cu-Alloy  
 (4) On request: PTFE - other materials

All data, subject to technical changes, are only for information and not for official use.



ISO 9001-2008  
CERTIFIED



ETM VALVE CO.,LTD. Europe Technology Manufacturer

Oubei town, YongJia county, WenZhou City, ZheJiang Province, China, 325102

Phone: +86 577 67953935 - Fax: +86 577 67983935 - www.etmvalves.com - info@etmvalve.com



**FIG.L.061 BELLOWS SEAL STOP VALVES DIN PN16 - Face to Face F1**

SIZE DN	15	20	25	32	40	50	65	80	100	125	150	200	250	300	350	400
L RF	130	150	160	180	200	230	290	310	350	400	480	600	730	850	980	1100
D	95	105	115	140	150	165	185	200	220	250	285	340	405	460	520	580
V	120	140	140	140	160	160	180	200	250	250	350	450	500	500	600	600
H	278	278	305	305	350	360	400	435	525	590	645	850	990	1115	1370	1420
STROKE	8	8	10	10	15	16	18	22	28	34	40	60	75	85	100	115

**FIG.L.062 BELLOWS SEAL STOP VALVES DIN PN25 - Face to Face F1**

SIZE DN	15	20	25	32	40	50	65	80	100	125	150	200	250	300	350	400
L RF/BW	130	150	160	180	200	230	290	310	350	400	480	600	730	850	980	1100
D	95	105	115	140	150	165	185	200	235	270	300	360	425	485	555	620
V	140	140	160	160	180	180	200	250	300	350	400	500	500	500	600	600
H	278	278	305	305	350	360	400	435	525	590	645	850	990	1115	1370	1420
STROKE	8	8	10	10	15	16	18	22	28	34	40	60	75	85	100	115

**FIG.L.063 BELLOWS SEAL STOP VALVES DIN PN40 - Face to Face F1**

SIZE DN	15	20	25	32	40	50	65	80	100	125	150	200	250	300	350	400
L RF/BW	130	150	160	180	200	230	290	310	350	400	480	600	730	850	980	1100
D	95	105	115	140	150	165	185	200	235	270	300	375	450	515	580	660
V	140	140	160	160	180	180	200	250	300	350	400	500	500	500	600	600
H	278	278	305	305	350	360	400	435	525	590	645	850	990	1115	1370	1420
STROKE	8	8	10	10	15	16	18	22	28	34	40	60	75	85	100	115

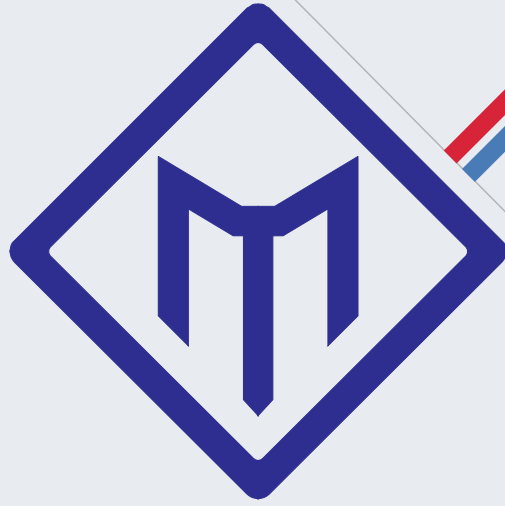
*features on request*

- |  |   |
|--|---|
| <input type="radio"/> TOP FLANGE TO ISO 5210     | <input type="radio"/> PTFE SOFT SEATS             |
| <input type="radio"/> GEAR OPERATOR              | <input type="radio"/> STEM PROTECTION / EXTENSION |
| <input type="radio"/> CHAIN WHEEL OPERATOR       | <input type="radio"/> REGULATING DISC             |
| <input type="radio"/> PNEUMATIC ACTUATOR         | <input type="radio"/> DOUBLE STAGE DISC           |
| <input type="radio"/> HYDRAULIC ACTUATOR         | <input type="radio"/> STOP CHECK DISC             |
| <input type="radio"/> ELECTRIC ACTUATOR          | <input type="radio"/> LIVE LOADED PACKING         |
| <input type="radio"/> POSITION INDICATOR         | <input type="radio"/> DRAIN PLUG                  |
| <input type="radio"/> LIMIT SWITCHES             | <input type="radio"/> BW ENDS                     |
| <input type="radio"/> LOCKING / INTERLOCK SYSTEM | <input type="radio"/> ANSI CONNECTIONS            |

All dimensions in mm (except where differently indicated)

All data, subject to technical changes, are only for information and not for official use.





**ETM VALVE CO.,LTD.**  
**Europe Technology Manufacturer**

